



Stuffing Box

The **Stuffing Box** is designed to pack-off all size of slickline (solid wireline) up to 0.160", with safety and convenience.

It is lightweight, compact and simple to operate.

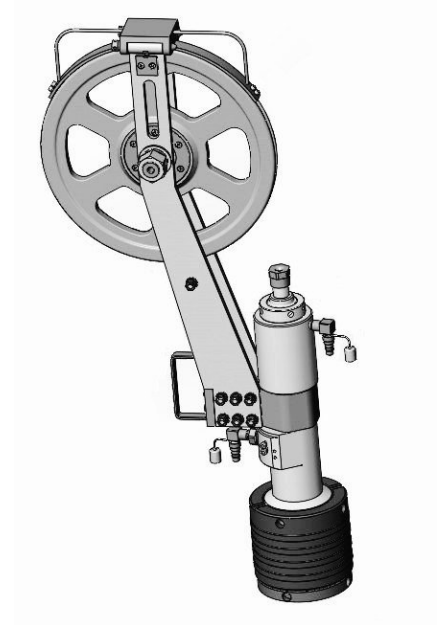
Positioned at the uppermost point of the Slickline PCE.

The Stuffing Box incorporates a Blowout Plug to automatically shut-in the well pressure in the event of the slickline breaking or being stripped from the Rope Socket. A ball check valve is provided optional to prevent the escape of well fluids in the event of the slickline breaking.

The Slickline Stuffing Box consists of a chamber which contains packing with an external adjustable nut.

The slickline passed through the packing and the nut is hydraulically tightened to the point where leakage around the line, caused by well pressure, is reduced to a minimum. A 16" diameter sheave bracket assembly (or 20" diameter in case of 0.160" wire) and a male quick union assembly are supplied with the Stuffing Box as standard.

The sealing parts of the Stuffing Box should be replaced while the slickline size changed. And a Glycol Injection port could be added if required.



Feature

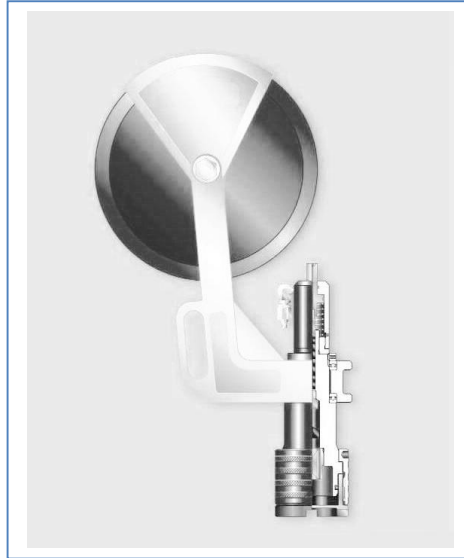
- 1) Full Range of wire (solid wireline) sizes applicable.
- 2) Max. 15000Psi working pressure and H2S service.
- 3) Contains well pressure whilst the slickline is either moving or stationary.
- 4) Sheave and bracket made from high quality castings.
- 5) Ball Check Valve provided optional instead of traditional Blowout Plug.





Main Parameter

- 1) Wire size
- 2) Working Pressure
- 3) Lower Connection required
- 4) Service Environment (STD or H2S)
- 5) Working Temperature



Stuffing Box					
Model	Working Pressure	Lower Connection	Wire Size	Service	Working Temperature
GMT5-21	3000Psi	3 1/2"-6SA Type W	0.092"(2.4mm) 0.108"(2.8mm) 0.125"(3.2mm)	STD or H2S	P + U -20°F~+250°F (-29°C~+121°C) Or As Required
GMT6-35	5000Psi	4 1/4"-4ACME Type W			
GMT6-70	10000Psi	4 3/4"-4ACME Type B			
GMT7-35	5000Psi	4 3/4"-4ACME Type B			
GMT7-70	10000Psi	5 3/4"-4ACME Type O			
GMT7-105	15000Psi	7 1/2"-4ACME Type O			
GMT10-35	5000Psi	6 1/2"-4ACME Type O			
GMT10-70	10000Psi	8 3/8"-4ACME Type O			
GMT10-105	15000Psi	9 1/2"-4ACME Type O			
GMT12-70	10000Psi	7 1/2"-4ACME Type O			
GMT13-70	10000Psi	9"-4ACME Type O			
GMT14-70	10000Psi	9 1/2"-4ACME Type O			
GMT16-35	5000Psi	9 1/2"-4ACME Type O			
GMT16-70	10000Psi	11 1/2"-4ACME Type O			

Note

- 1) There are Bowen (Type B), Otis (Type O) and our own Quick Union (Type W) for threaded selective.
- 2) Additional size available on request.



Normal Guarantee Period

12 months after the clients received the Equipment
or 13 months after the commodity be shipped from Chinese Harbor.



Information Required When Inquiry

If you will purchase the whole Slickline PCE,
please refer to the [Information Required When Inquiry](#) in Chapter 《Slickline PCE》 .

If you purchase the Stuffing Box separately, the **Main Parameter** information above mentioned will be asked.

Subject to change without notice