



Combi BOP

The **Combi BOP** is normally designed to instead the Quad Ram BOP to give positive protection against blowout in the coiled tubing operation. It is hydraulically actuated with manually operated auxiliary ram stems to lock the rams in a closed position or to close the actuators in the event of a hydraulic power source failure. This Combi BOP comes with hydraulic disassembly of the actuators from the body, providing easy ram monitoring and redress. It combines the function of the Quad Ram BOP with the Combi Ram Assembly to short the height of the BOP.



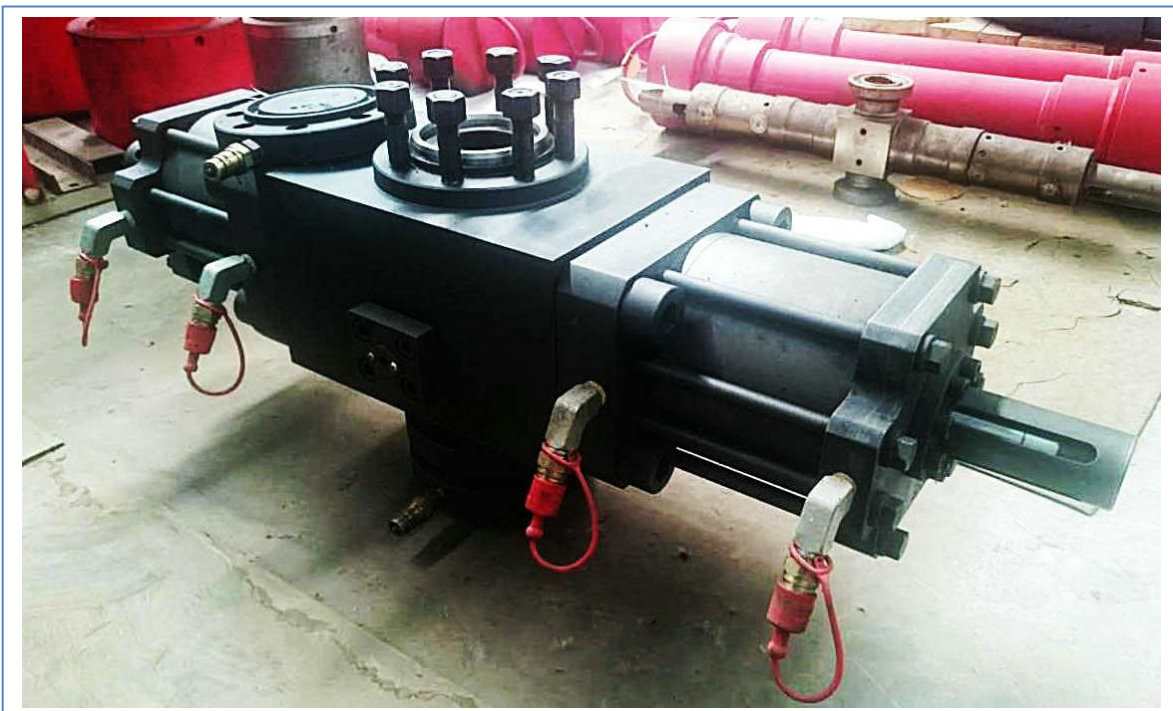
The Ram Assembled in the Combi BOP from upper to lower normally is Shear-blind Ram, Slip-pipe Ram.

The Shear-blind Ram combines the function of Blind Ram and Shear Ram of the Quad Ram BOP.

The Slip-pipe Ram combines the function of Slip Ram and Pipe Ram of the Quad Ram BOP.

Other parameters of the Combi BOP is similar to Quad Ram BOP.

There are Combi Single Ram BOP and Combi Dual Ram BOP for selective according to the operation requirement.





Feature

- 1) The design and manufacturing of Quad Ram BOP comply with API Sepc-16A, NACE MR 0175 and other relevant standards.
- 2) Forged monobloc construction Body.
- 3) Hydraulic Cylinder Slide Rods, allowing fast removal of Cylinder for Ram or Seal replacement.
- 4) Ram position indicator Rods for external indication of the Ram position.
- 5) Customized Ram Assemblies allowed on request.

Main Parameter

- 1) I.D.
- 2) Working Pressure
- 3) Coiled tubing Size you applied
- 4) Single Ram BOP or Dual Ram BOP
- 5) Each Rams Assembly type you needed
- 6) Upper and Lower Connection required
- 7) Service Environment (STD or H2S)
- 8) Working Temperature

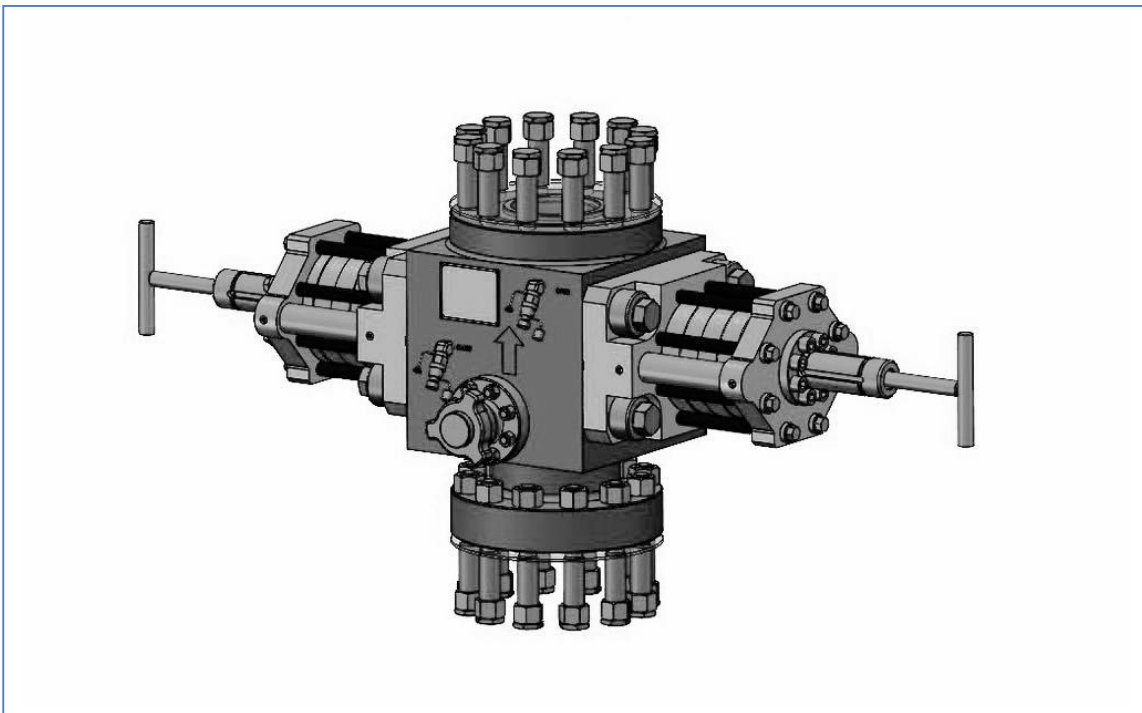


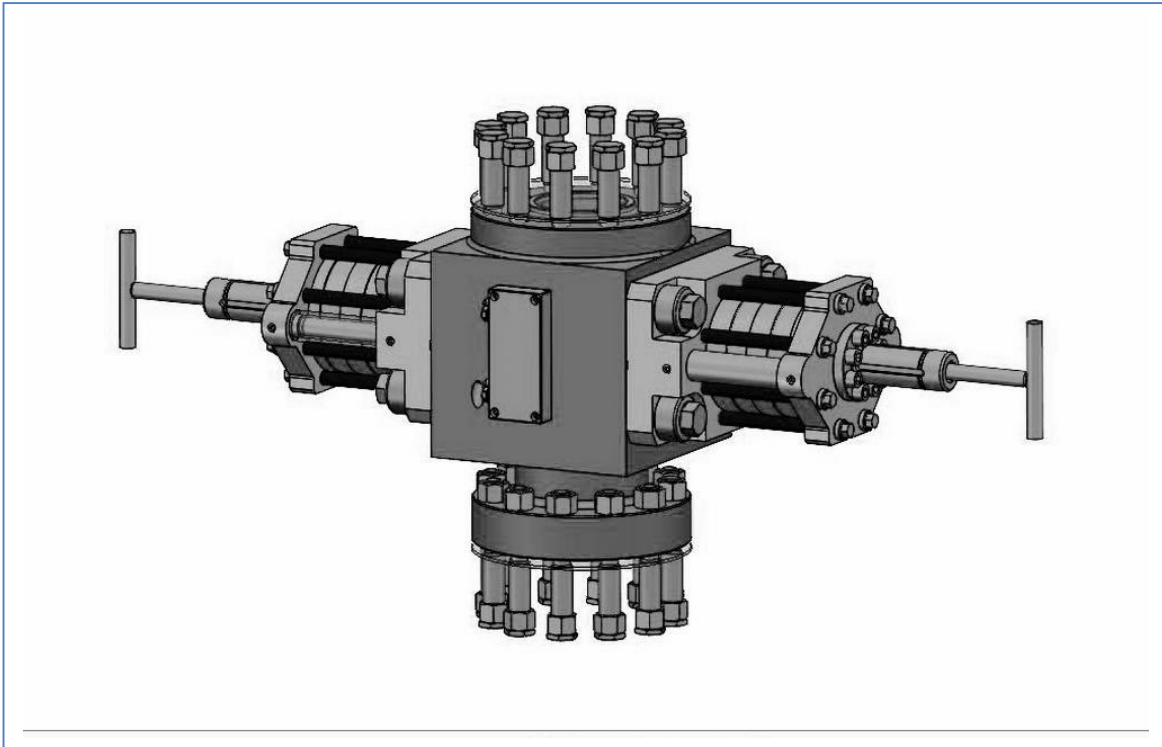
Combi Dual Ram BOP								
Model	Working Pressure	Normal I.D.	Normal Ram Types of BOP	CT Size	Side Connection	Upper & Lower Connection	Service	Working Temperature
2FZ6-70	10000Psi	2-9/16"	Shear-blind Ram, Slip-pipe Ram	1"~2-7/8"	API 2 1/16"-10K (BX152) Stud Flange x 2"-1502 FIG.B	Upper API 2 9/16"-10K (BX153) Stud Flange, Lower API 2 9/16"-10K (BX153) Open Flange	STD or H2S	P + U -20°F~+250°F (-29°C~+121°C) Or As Required
2FZ7-70	10000Psi	3-1/16"				Upper API 3 1/16"-10K (BX154) Stud Flange, Lower API 3 1/16"-10K (BX154) Open Flange		
2FZ10-70	10000Psi	4-1/16"				Upper API 4 1/16"-10K (BX155) Stud Flange, Lower API 4 1/16"-10K (BX155) Open Flange		
2FZ13-70	10000Psi	5-1/8"				Upper API 5 1/8"-10K (BX169) Stud Flange, Lower API 5 1/8"-10K (BX169) Open Flange		
2FZ7-105	15000Psi	3-1/16"			API 2 1/16"-15K (BX152) Stud Flange x 2"-1502 FIG.B	Upper API 3 1/16"-15K (BX154) Stud Flange, Lower API 3 1/16"-15K (BX154) Open Flange		
2FZ10-105	15000Psi	4-1/16"				Upper API 4 1/16"-15K (BX155) Stud Flange, Lower API 4 1/16"-15K (BX155) Open Flange		
2FZ13-105	15000Psi	5-1/8"				Upper API 5 1/8"-15K (BX169) Stud Flange, Lower API 5 1/8"-15K (BX169) Open Flange		

Note: Combi Single Ram BOP available on request.

Note

- 1) Additional size available on request.
- 2) Customize Ram type on request.





Normal Guarantee Period

12 months after the clients received the Equipment
or 13 months after the commodity be shipped from Chinese Harbor.

Information Required When Inquiry

If you will purchase the whole Coiled Tubing PCE,
please refer to the [Information Required When Inquiry](#) in Chapter 《Coiled Tubing PCE》 .
If you purchase the Combi BOP separately,
the **Main Parameter** information above mentioned will be asked.

Subject to change without notice