



Hydraulic Triple Ram BOP

The **Triple Ram BOPs** are mainly recommended to apply in the Well which Working Pressure >10000Psi. Normally, the 3 sets of Ram Assembly of the BOP will be same size. Sometimes a special Ram Assembly such as Shear Seal Ram could be applied. In the meantime, it should keep the other 2 sets of Rams with same size.

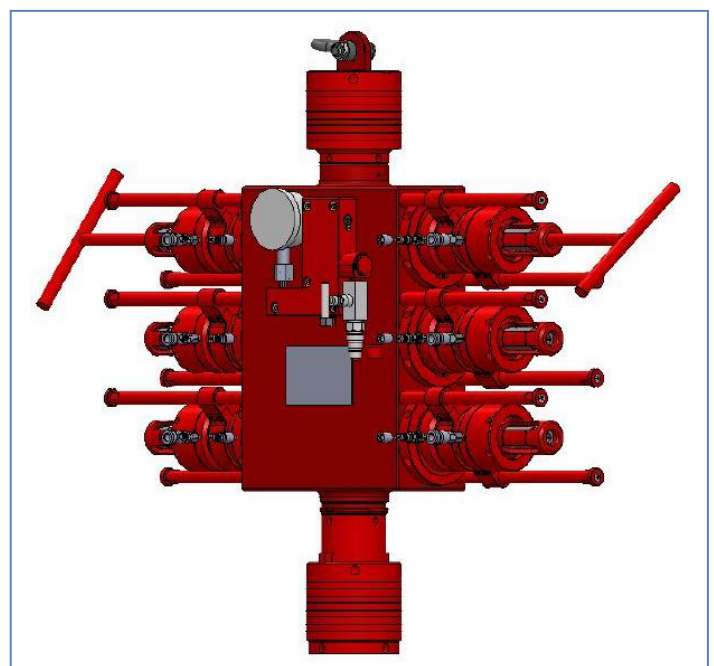
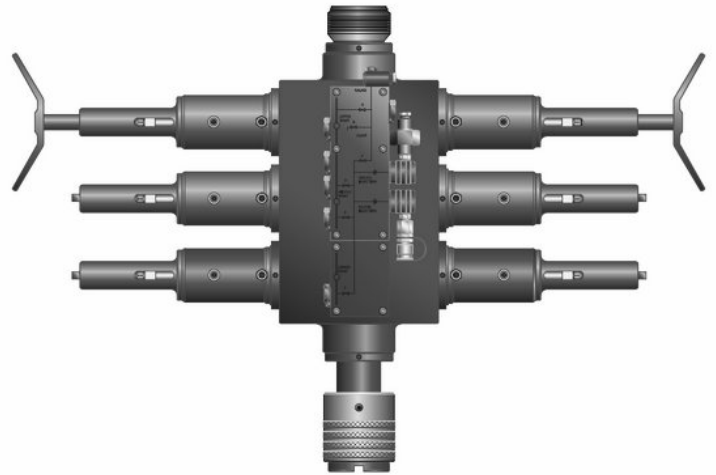
Triple Ram BOPs or Dual Ram BOPs can be configured with the lower set of Rams inverted. This allows the two sets of Rams to trap a cavity full of grease between them of higher pressure, preventing escape up or down. This is mandatory in gas wells, since gas will migrate up the cable between the Inner Armor and Outer Armor. By filling the cavity at a pressure higher than wellhead pressure, the grease fills the spaces and prevents escape.

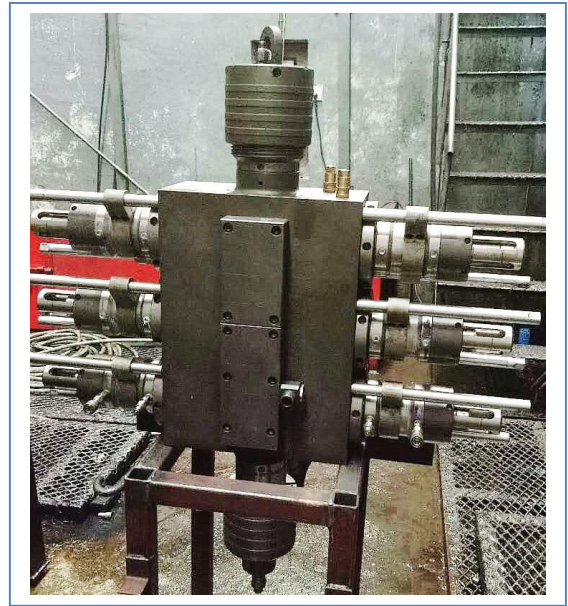
More details of the difference of the Wireline and Slickline, please refer to the content in [Wireline BOP](#).

The Triple Ram BOP applied in Wireline Operation and Slickline Operation are differ in Balance Valve and Ram Assembly normally. But if you need this BOP both fit with Wireline and Slickline Operation, we could provide this BOP accordingly.

Feature

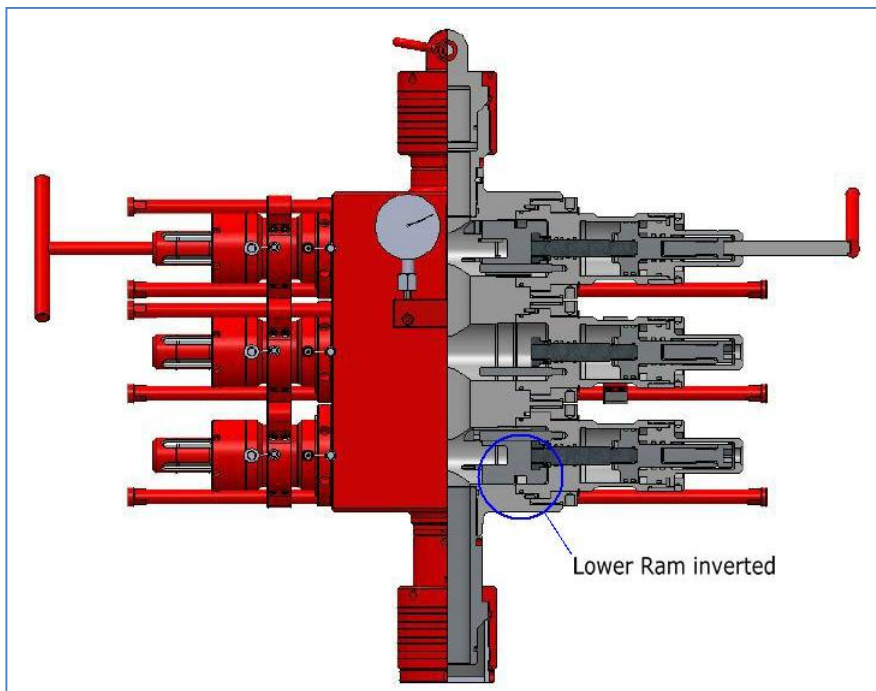
- 1) The design and manufacturing of Triple Ram BOP Comply with API Sepc-16A, NACE MR 0175 and other relevant standards.
- 2) Forged monobloc construction Body.
- 3) Compact size, allowing shorter rig-up heights.
- 4) Hydraulic Cylinder Slide Rods, allowing fast removal of Cylinder for Ram or Seal replacement.
- 5) Ram position indicator Rods for external indication of the Ram position.
- 6) Integral Balance Valve Assembly, chemical and grease Injection.
- 7) Multi Line Ram Assembly allowed for Slickline to 0.312".
- 8) Shear-seal Ram Assembly allowed.





Main Parameter

- 1) I.D.
- 2) Working Pressure
- 3) Wireline or Slickline Size you applied
- 4) Rams type you needed
- 5) Upper and Lower Union required (Bowen or Otis)
- 6) Service Environment (STD or H2S)
- 7) Working Temperature





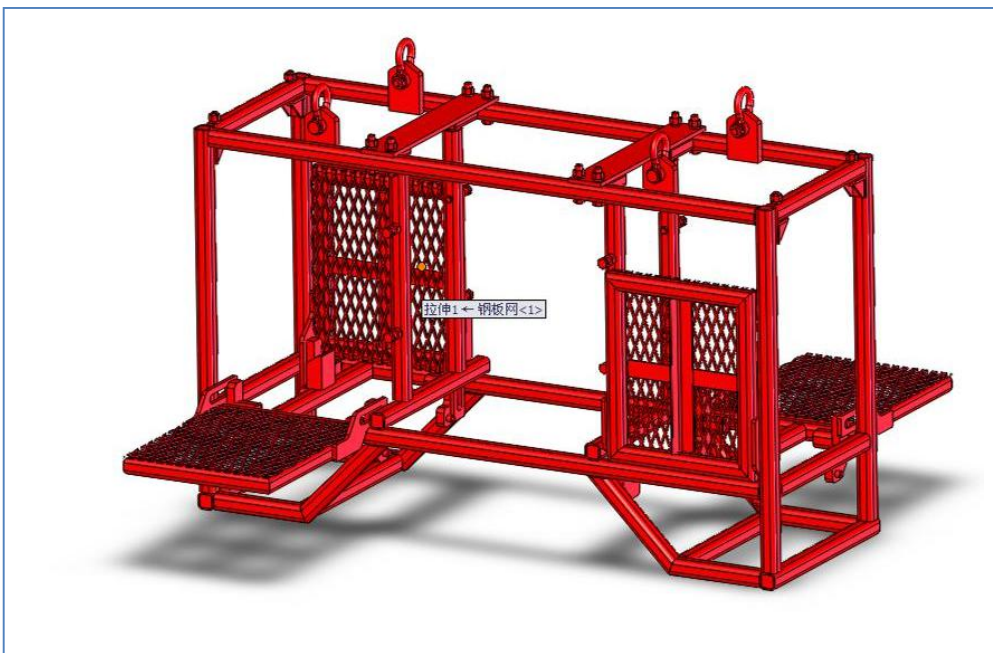
Hydraulic Triple Ram BOP							
Model	Working Pressure	Normal I.D.	Actual I.D.	Upper Connection and Lower Connection	Wire Size	Service	Working Temperature
3FZ6-105	10000Psi	2-9/16"	65mm	6 1/4"-4ACME Type O	0.092"(2.4mm)	STD or H2S	P + U -20°F~+250°F (-29°C~+121°C) Or As Required
3FZ7-105	15000Psi	3"	76mm	7 1/2"-4ACME Type O	0.108"(2.8mm)		
3FZ10-105	5000Psi	4" or 4-1/16"	103mm	9 1/2"-4ACME Type O	0.125"(3.2mm)		
3FZ12-105	10000Psi	4-1/2"	120mm	11 1/8"-4ACME Type W	3/16"(4.8mm)		
3FZ13-105	10000Psi	5" or 5-1/8"	130mm	12 1/4"-4ACME Type O	7/32"(5.6mm)		
					5/16"(8.0mm)		
					15/32"(11.8mm)		

Note

- 1) There are Bowen (Type B), Otis (Type O) and our own Quick Union (Type W) for threaded selective.
- 2) Additional size available on request.

Normal Guarantee Period

12 months after the clients received the Equipment
or 13 months after the commodity be shipped from Chinese Harbor.



BOP Cage for Dual Ram BOP/ Triple Ram BOP



Information Required When Inquiry

If you will purchase the whole Wireline PCE,
please refer to the [Information Required When Inquiry](#) in Chapter 《Wireline PCE》 .
If you purchase the Hydraulic Triple Ram BOP separately,
the [Main Parameter](#) information above mentioned will be asked.

Subject to change without notice