



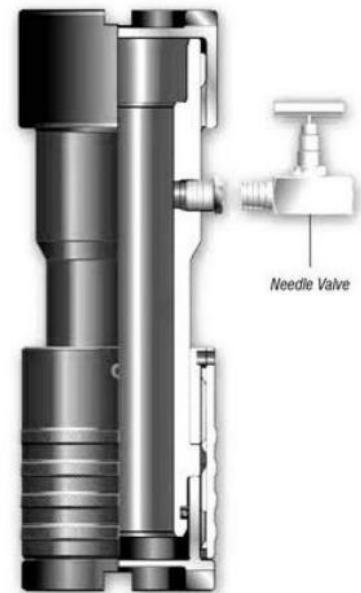
Bleed-off Sub

The **Bleed-off Sub** applied when a bleed-off port is required on the Lubricator string. Bleed-off Sub are available with a NPT 1/2" port for connection of a suitable valve.

The Bleed-off Sub is particularly effective when used in Slickline PCE.

Feature

- 1) One-piece forged Body;
- 2) Reliable and easy to use.





Main Parameter

- 1) I.D.
- 2) Working Pressure
- 3) Upper and Lower Union Required (Bowen or Otis)
- 4) Service Environment (STD or H2S)
- 5) Working Temperature

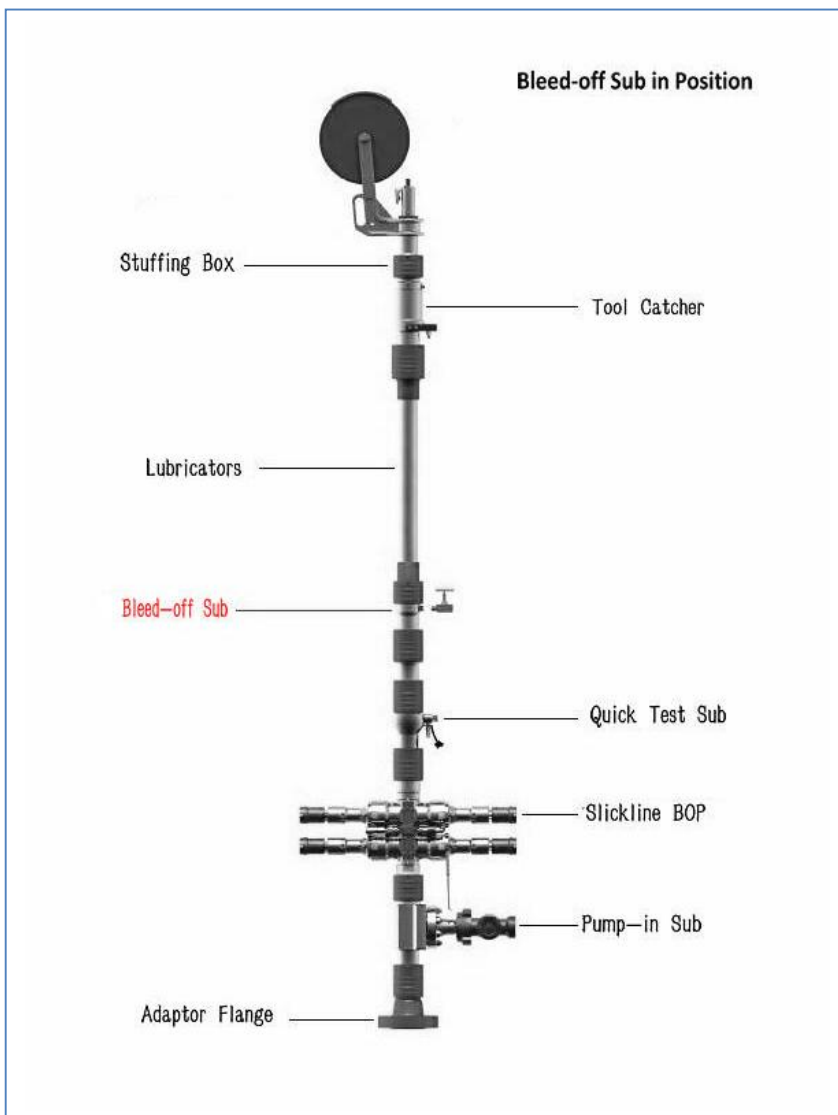
Bleed-off Sub						
Model	Working Pressure	Normal I.D.	Actual I.D.	Service	Upper and Lower Connection	Working Temperature
BL5-21	3000Psi	2-1/16"	52mm	STD or H2S	3 1/2"-6SA Type W	P + U -20°F~+250°F (-29°C~+121°C) Or As Required
BL6-35	5000Psi	2-9/16"	65mm		4 1/4"-4ACME Type W	
BL6-70	10000Psi				4 3/4"-4ACME Type B	
BL7-35	5000Psi	3"	76mm		4 3/4"-4ACME Type B	
BL7-70	10000Psi				5 3/4"-4ACME Type O	
BL10-35	5000Psi	4" or 4-1/16"	103mm		6 1/2"-4ACME Type O	
BL10-70	10000Psi				8 3/8"-4ACME Type O	
BL12-70	10000Psi	4-1/2"	120mm		7 1/2"-4ACME Type O	
BL13-70	10000Psi	5" or 5-1/8"	130mm		9"-4ACME Type O	
BL14-70	10000Psi	5-1/2"	140mm		9 1/2"-4ACME Type O	
BL16-35	5000Psi	6-3/8"	162mm		9 1/2"-4ACME Type O	
BL16-70	10000Psi				11 1/2"-4ACME Type O	

Note

- 1) There are Bowen (Type B), Otis (Type O) and our own Quick Union (Type W) for threaded selective.
- 2) Additional size available on request.

Normal Guarantee Period

12 months after the clients received the Equipment
or 13 months after the commodity be shipped from Chinese Harbor.



Information Required When Inquiry

If you will purchase the whole Slickline PCE,
please refer to the [Information Required When Inquiry](#) in Chapter 《Slickline PCE》 .

If you purchase the Bleed-off Sub separately, the **Main Parameter** information above mentioned will be asked.

Subject to change without notice