



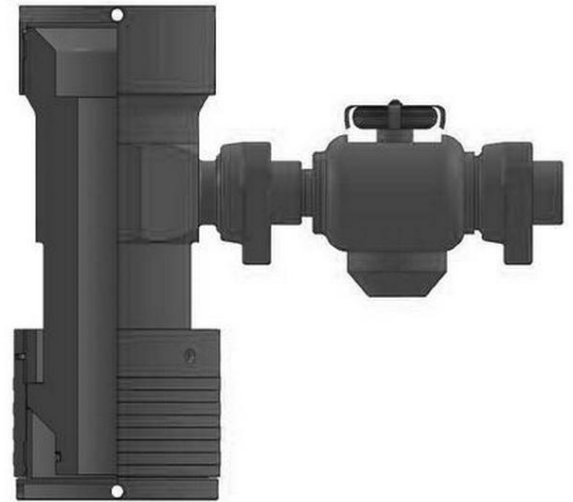
## Pump-in Sub

The **Pump-in Sub** is normally positioned below the Wireline BOP and above the wellhead. It has Quick Union top and bottom, and a WECO ( Hammer Union ) type side outlet. A Plug Valve will be applied to connect with the side outlet normally.

Pump-in Sub main function is to allow well control by pumping fluid below a closed Wireline BOP. Its is mainly used for the pumping fluid to wash well or bleed the residual liquid in Wireline PCE after the BOP has been closed.

There are two kinds of structure Pump-in Sub. The main difference is the is the side outlet is integral or not.

**Normally, we will provide with Integral Pump-in Sub if no special requirement.**



### Feature

- 1) Two kinds of structure for selective. Integral Pump-in Sub is recommended.
- 2) One piece forging of the Tee Body, without welding.
- 3) The pressure-containing parts are made of high strength alloy steel with good corrosion resistance.



*Integral Pump-in Sub*



*Flanged Type Pump-in Sub*



Integral Pump-in Sub



Flanged Type Pump-in Sub

Pump-in Sub							
WPCE Model	Working Pressure	Normal I.D.	Actual I.D.	Upper Connection and Lower Connection	Side Outlet	Service	Working Temperature
ST6-35	5000Psi	2-9/16"	65mm	4 1/4"-4ACME Type W	2"-1502 Hammer Union ( Flange or Integral)	STD or H2S	P + U -20°F~+250°F (-29°C~+121°C) Or As Required
ST6-70	10000Psi	2-9/16"	65mm	4 3/4"-4ACME Type B			
ST7-35	5000Psi	3"	78mm	4 3/4"-4ACME Type B			
ST7-70	10000Psi	3"	78mm	5 3/4"-4ACME Type O			
ST7-105	15000Psi	3"	78mm	7 1/2"-4ACME Type O			
ST10-35	5000Psi	4" or 4-1/16"	103mm	6 1/2"-4ACME Type O			
ST10-70	10000Psi	4" or 4-1/16"	103mm	8 3/8"-4ACME Type O			
ST10-105	15000Psi	4" or 4-1/16"	103mm	9 1/2"-4ACME Type O			
ST12-70	10000Psi	4-1/2"	120mm	7 1/2"-4ACME Type O			
ST12-105	15000Psi	4-1/2"	120mm	11 1/8"-4ACME Type W			
ST13-70	10000Psi	5" or 5-1/8"	130mm	9"-4ACME Type O			
ST13-105	15000Psi	5" or 5-1/8"	130mm	12 1/4"-4ACME Type O			
ST14-70	10000Psi	5-1/2"	140mm	9 1/2"-4ACME Type O			
ST16-35	5000Psi	6-3/8"	162mm	9 1/2"-4ACME Type O			
ST16-70	10000Psi	6-3/8"	162mm	11 1/2"-4ACME Type O			

**Note**

- 1) There are Bowen (Type B), Otis (Type O) and our own Quick Union (Type W) for threaded selective.
- 2) Additional size available on request .



### Main Parameter

- 1) I.D.
- 2) Working Pressure
- 3) Side out-let: 2"-1502 Hammer Union  
( Flange or Integral)
- 4) Upper and Lower Union Required  
( It is same to the BOP Normally )
- 4) Service Environment ( STD or H2S )
- 5) Working Temperature

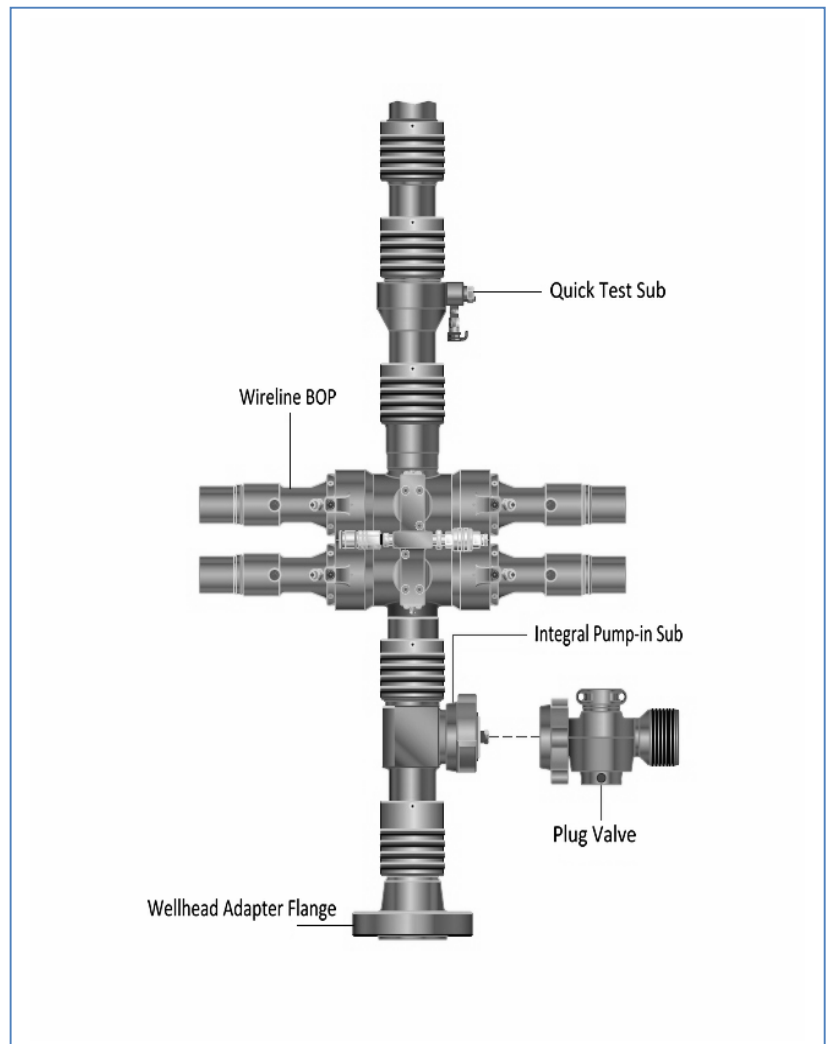
### Normal Guarantee Period

12 months after the clients received  
the Equipment  
or 13 months after the commodity be  
shipped from Chinese Harbor.

### Information Required When Inquiry

If you will purchase the whole Wireline PCE,  
please refer to the [Information Required When Inquiry](#) in Chapter 《Wireline PCE》 .

If you purchase the Pump-in Sub separately, the **Main Parameter** information above mentioned will be asked.



Subject to change without notice