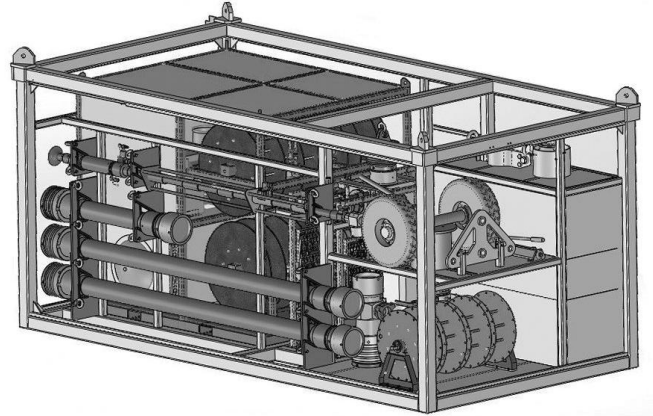




Transport Frame

A Transport Frame is skid mount designed to be tailored individual requirements offering a shipping and storage solution that is very safe & promotes quick and easy handling.

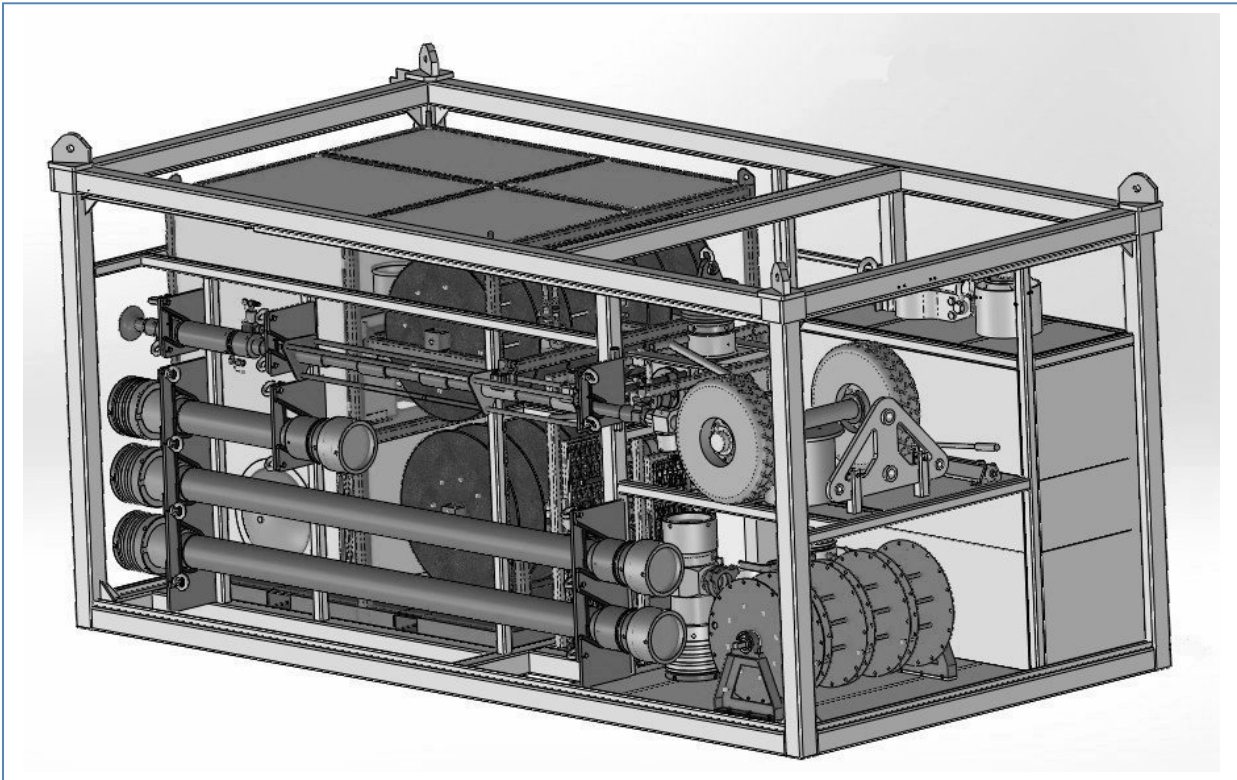
A Transport Frame is recommended apply for a full set of Wireline PCE. It could eliminate packing the full set Wireline PCE parts one by one. And it could protect the whole WPCE effectively, reduce the damage and loss in transportation. Easy for transport and lifting.



Feature

- 1) Short package time.
- 2) Heavy Duty, single lift Transport Trailer.
- 3) Tailored compact size which fit with full set of Wireline PCE fully.
- 4) Proper protection on each parts when transportation or lifting operation.





Subject to change without notice