



Wellhead Adapter Flange

Wellhead Adapter Flange provides a means of connecting the Wireline BOP and Lubricators Assembly to the Wellhead in a safe and secure way.

Normally, Wellhead Adapter Flange of Wireline PCE consists of a Union machined on a standard API Flange. The upper end are Bowen Type (Type B), Otis Type (Type C) Quick Union for selective , and our Wincent (Type W) Union for supplement. Normally, the Flange will be supplied with Thread Protector, Bolts, Nuts and Gasket Ring fully.



Feature

- 1) Design and manufacturing comply with API Sepc-6A, it will be applied to all API standard models.
- 2) One piece forging of the Flange Body, without welding.
- 3) The pressure-containing parts are made of high strength alloy steel with good corrosion resistance.
- 4) **Accessories such as Thread Protector, Bolts, Nuts and Gasket Ring all be provided for convenient use.**





Main Parameter

- 1) I.D.
- 2) Working Pressure
- 3) Upper Union Required, Lower API-6A Flange Required
- 4) Service Environment (STD or H2S)
- 5) Working Temperature

Wellhead Adapter Flange of Normal Wireline PCE							
WPCE Model	Working Pressure	Normal I.D.	Actual I.D.	Upper Connection	Lower Connection	Service	Working Temperature
DLFP6-35	5000Psi	2-9/16"	65mm	4 1/4"-4ACME Type W	API 2 9/16"-5K (R27) Open Flange	STD or H2S	P + U -20°F~+250°F (-29°C~+121°C) Or As Required
DLFP6-70	10000Psi	2-9/16"	65mm	4 3/4"-4ACME Type B	API 2 9/16"-10K (BX153) Open Flange		
DLFP7-35	5000Psi	3"	78mm	4 3/4"-4ACME Type B	API 3 1/8"-5K (R35) Open Flange		
DLFP7-70	10000Psi	3"	78mm	5 3/4"-4ACME Type O	API 3 1/16"-10K (BX154) Open Flange		
DLFP7-105	15000Psi	3"	78mm	7 1/2"-4ACME Type O	API 3 1/16"-15K (BX154) Open Flange		
DLFP10-35	5000Psi	4" or 4-1/16"	103mm	6 1/2"-4ACME Type O	API 4 1/16"-5K (R39) Open Flange		
DLFP10-70	10000Psi	4" or 4-1/16"	103mm	8 3/8"-4ACME Type O	API 4 1/16"-10K (BX155) Open Flange		
DLFP10-105	15000Psi	4" or 4-1/16"	103mm	9 1/2"-4ACME Type O	API 4 1/16"-15K (BX155) Open Flange		
DLFP12-70	10000Psi	4-1/2"	120mm	7 1/2"-4ACME Type O	API 5 1/8"-10K (BX169) Open Flange		
DLFP12-105	15000Psi	4-1/2"	120mm	11 1/8"-4ACME Type W	API 5 1/8"-15K (BX169) Open Flange		
DLFP13-70	10000Psi	5" or 5-1/8"	130mm	9"-4ACME Type O	API 5 1/8"-10K (BX169) Open Flange		
DLFP13-105	15000Psi	5" or 5-1/8"	130mm	12 1/4"-4ACME Type O	API 5 1/8"-15K (BX169) Open Flange		
DLFP14-70	10000Psi	5-1/2"	140mm	9 1/2"-4ACME Type O	API 7 1/16"-10K (BX156) Open Flange		
DLFP16-35	5000Psi	6-3/8"	162mm	9 1/2"-4ACME Type O	API 7 1/16"-5K (R39) Open Flange		
DLFP16-70	10000Psi	6-3/8"	162mm	11 1/2"-4ACME Type O	API 7 1/16"-10K (BX156) Open Flange		

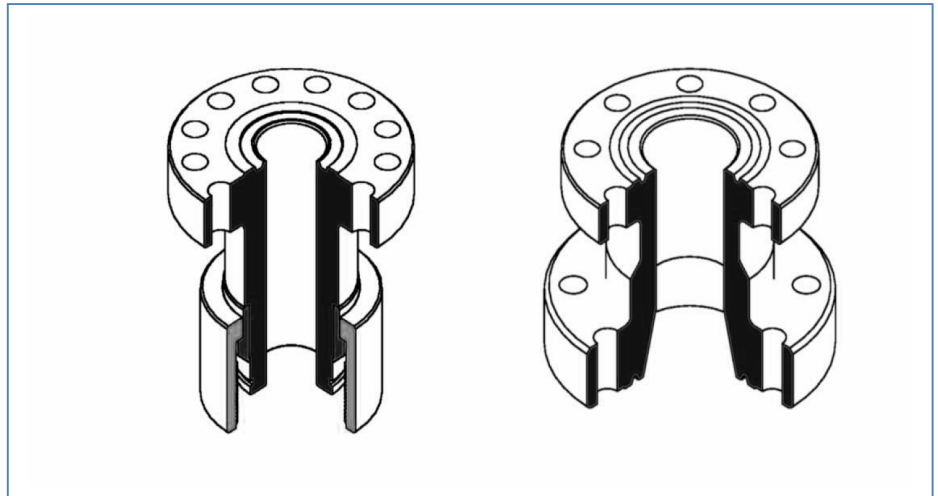
Note

- 1) There are Bowen (Type B), Otis (Type O) and our own Quick Union (Type W) for threaded selective.
- 2) Additional size available on request.



More Adapter Flange

There are more types of Adapter Flange provided available on request.



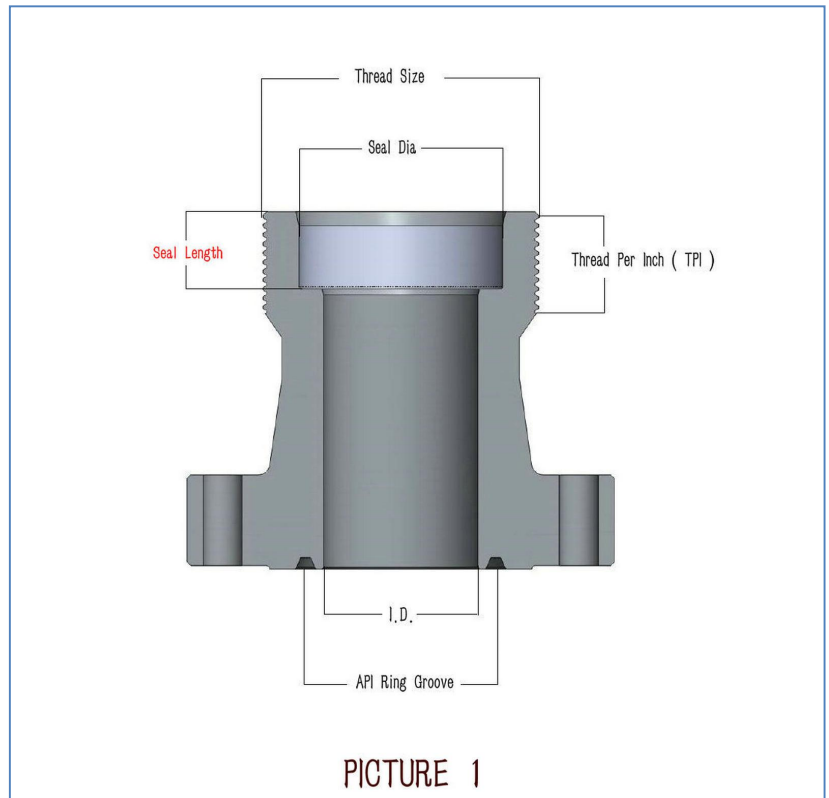
Normal Guarantee Period

12 months after the clients received the Equipment
or 13 months after the commodity be shipped from Chinese Harbor.

Information Required When Inquiry

If you will purchase the whole Wireline PCE, please refer to the [Information Required When Inquiry](#) in Chapter 《Wireline PCE》 .

If you purchase the Adapter Flange separately, It is had better provide the Seal Length (Red Words) as **PICTURE 1** together with the Main Parameter information above mentioned.



Subject to change without notice