

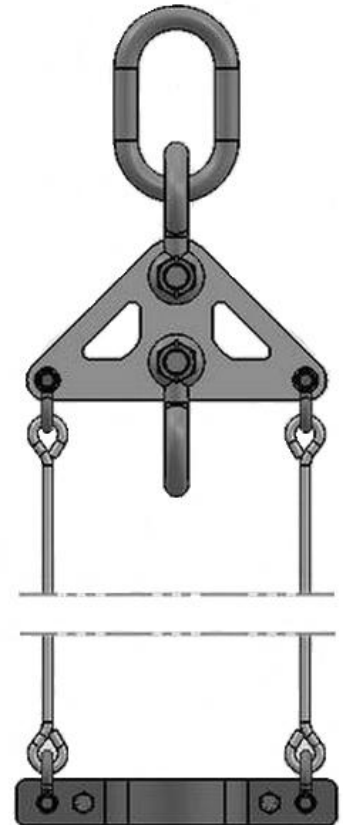


Lifting Tool

The Lifting Tool is mainly used for lifting the Wireline PCE toward the wellhead after the parts have been connected, so as to connect and install the pressure control equipment on the wellhead.

The Lifting Tool main consists of

a Spreader Bar, two Rope Sling and a Lifting Clamp.



Lifting Clamp

Lifting Clamps are designed to enhance safety and provide optimal control during lubricator and pressure control equipment lifting tasks. Often used in pairs, the clamps attach firmly below the Quick Union on the Lubricator.

Spreader Bars

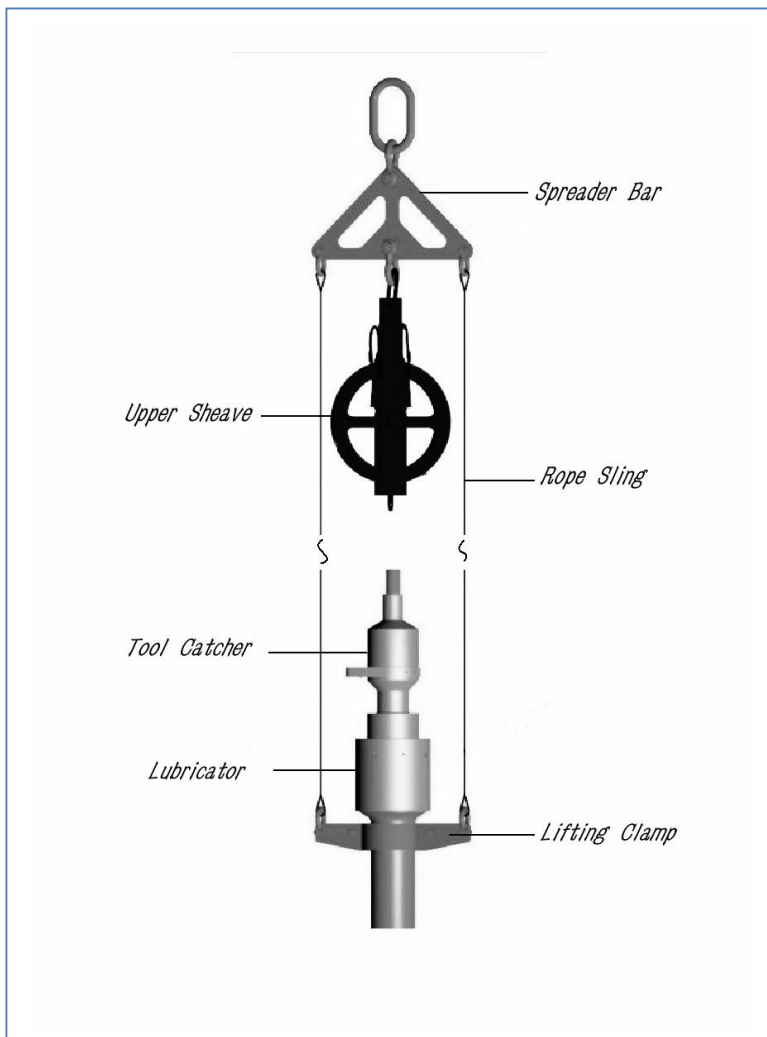
Designed for loads with wide-apart lift points, our heavy-duty spreader bars provide critical safety and control for heavy equipment lifting. Spreader bars increase load stability by raising the suspension point away from the center of gravity, keeping the payload balanced and untangled.

All of our Lifting Tools are load-tested to ensure maximum safety.



Spreader Bars

Lifting Clamp



Subject to change without notice